



Life-Proof Hard Disk. Rugged, Creative Storage for Your Desktop.

Design by Neil Poulton



Simple and Efficient

The LaCie Rugged XL, Design by Neil Poulton offers a large amount of storage capacity, yet it's easy for anyone to use. Setup is effortless; it's plug & play and offers customizable formatting to format one's drive up to one's needs with the LaCie Setup Assistant. LaCie Backup Assistant software is also included for PC/Mac® users for easy, automatic backups.

Design and Function

The LaCie Rugged XL makes a statement on your desktop, with its design (based on the original LaCie Rugged Hard Disk) and colorful presence. Its warm orange LED strip on its underside underscores LaCie's dedication to superior design and functionality.

Protect Your Data

This advanced hard disk features aluminum casing, which provides superior protection on your desk. Its resistant and tough design comes complete with a rubber sleeve, internal bumper, and heat dissipating features, making the LaCie Rugged XL as sturdy and reliable as it is effective.

High Performance

With versatile Hi-Speed USB 2.0, the user-friendly LaCie Rugged XL, Design by Neil Poulton makes a great companion to your PC or Mac. Use it as a reliable data-shuttle between USB-equipped desktop and laptop computers, or to regularly back up your entire system or upgrade capacity when your computer's hard drive is full. With an eSATA interface as well, the LaCie Rugged XL offers you lightning-fast speeds, which means it's powerful and easy to use.

1TB* =

**1,420 DivX movies or
270,000 songs or
330,000 photos****

- More capacity, same Rugged design
- Resistant and tough: rubber sleeve, internal bumper, and heat dissipation
- Stylish design with LED effect

Features

- LED effect
- Metal and rubber casing
- Quiet operation
- Complete application package (formatting and backup)

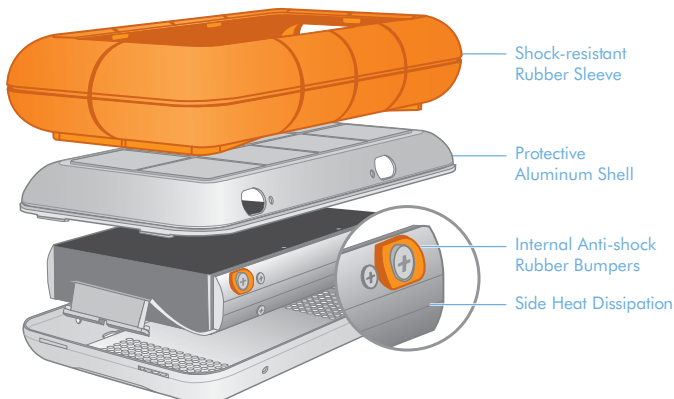
Box Content

- LaCie Rugged XL
- Hi-Speed USB 2.0 cable
- eSATA cable
- External power supply
- Quick Install Guide
- LaCie Utilities (Preloaded): User manual, applications (also available from LaCie Web site)

Minimum System Requirements

- PC or Mac with Hi-Speed USB 2.0 interface or eSATA interface
- Windows® 2000, Windows XP, Windows Vista™/ Mac OS X 10.3 or higher
- Pentium II 350MHz processor or greater / G3, Mac Intel processor or greater
- Minimum free disk space: 600MB recommended

RUGGED PROTECTION



Capacity availability varies from region to region. Please visit www.lacie.com for up-to-date information.

LaCie Rugged XL, Design by Neil Poulton

Item Number	301848EK
Capacity*	1TB
Interfaces	eSATA, Hi-Speed USB 2.0***
Interface Transfer Rates	eSATA: up to 3Gbits/s; USB 2.0: up to 480Mbits/s
Burst Transfer Rates:**** (maximum drive speed)	USB 2.0: up to 30MB/s; eSATA: up to 80MB/s
Cooling system	Fanless and quiet; side heat dissipation mechanism
Size (HxWxL)	1.73 x 5.12 x 8.46 in. / 44 x 130 x 215 mm
Weight	37.9 oz. / 1074 g
Warranty	2-year limited

*1TB (Terabyte) = 1000GB. 1GB = 1,000,000,000 bytes. Total accessible capacity varies depending upon operating environment (typically 5–10% less).

**Calculations are based on approximately 700MB/MPEG-4 movie, 3.6MB/song and 3MB/JPEG photo.

*** USB 1.1 compatible

**** Burst transfer rates vary from one computer to another and may vary slightly from one drive to another. Average speed is usually lower, depending on host configuration.

© 2009, LaCie. The LaCie logo is a trademark of LaCie. Other product and brand names mentioned herein may be trademarks or registered trademarks of their respective owners. Specifications and appearance are given as guidelines and are subject to change without notice. www.lacie.com

